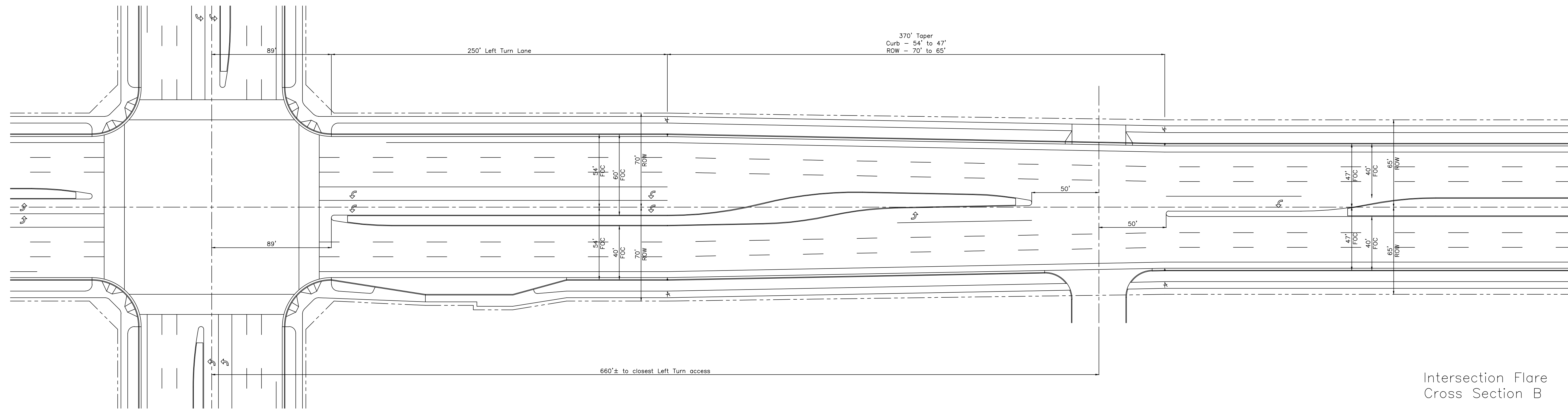


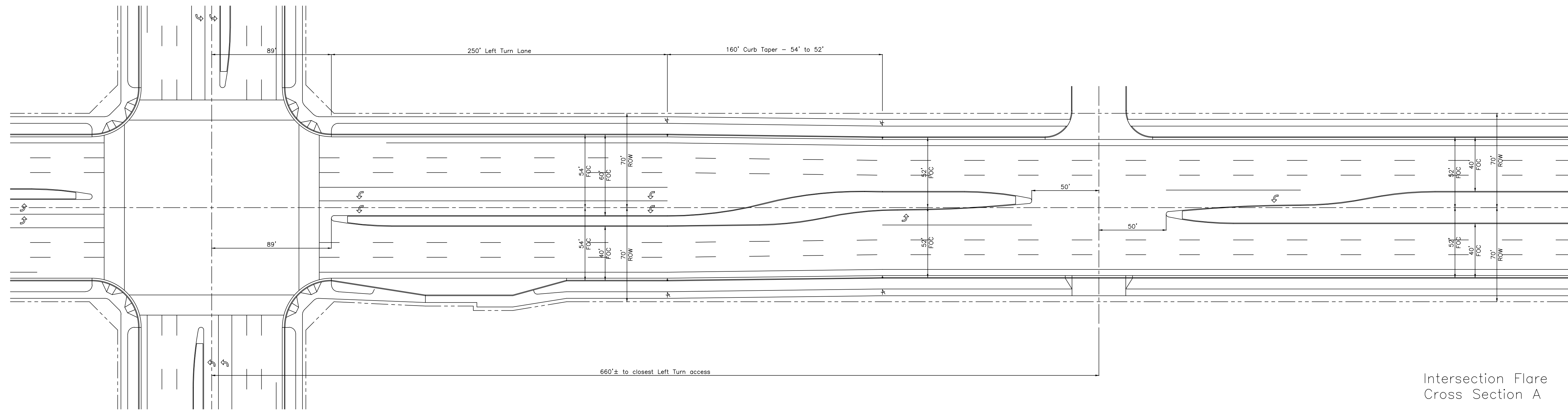
Intersection Flare
Cross Section A



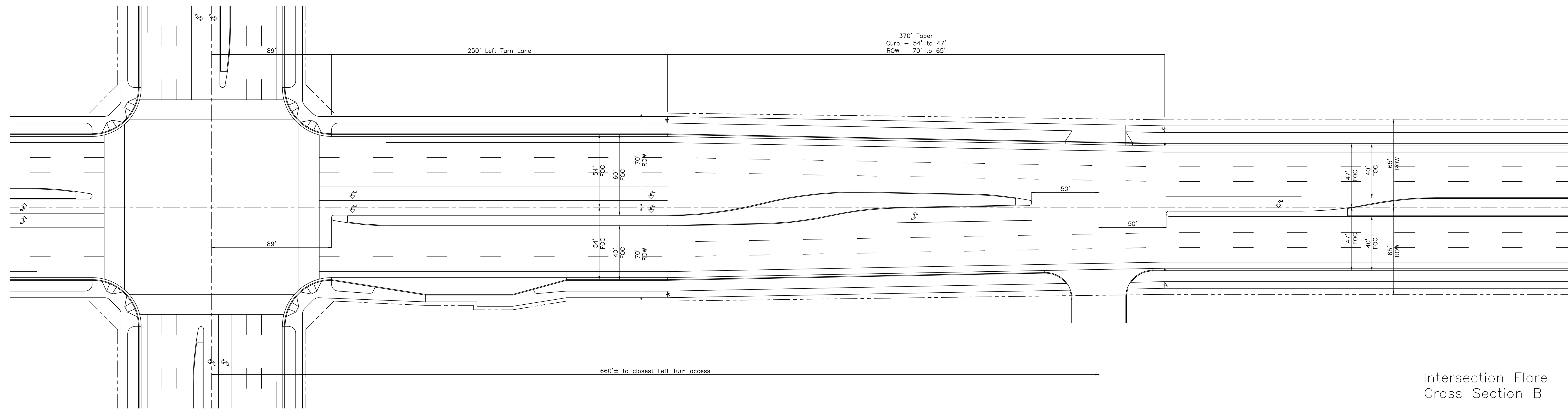
Intersection Flare
Cross Section B

DRAWN BY: hsy APPROVED BY: DEPUTY STREET TRANSPORTATION DIR. _____ DEPUTY STREET TRANSPORTATION DIR. _____ STREET TRANSPORTATION DIR. _____	CITY OF PHOENIX, ARIZONA STREET TRANSPORTATION DEPT.		
	DESIGN STANDARDS/DETAILS INTERSECTION FLARE CROSS SECTION A & B		
	WORK ORDER NO.: _____	SCALE: _____	FILE NO. _____
	PROJECT NO.: _____	DATE: _____ SHEET OF SHEETS	7336

7336.dwg DC2/03 08:26am

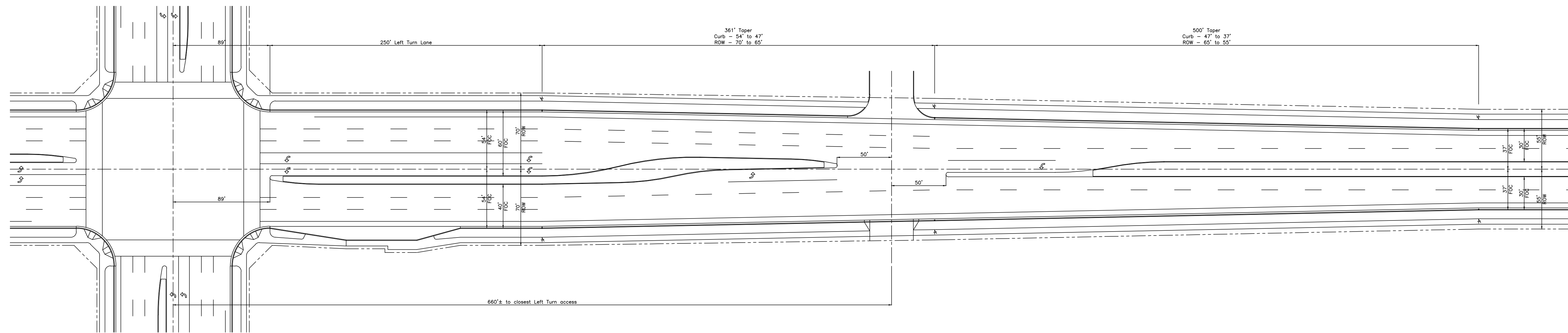


Intersection Flare
Cross Section A

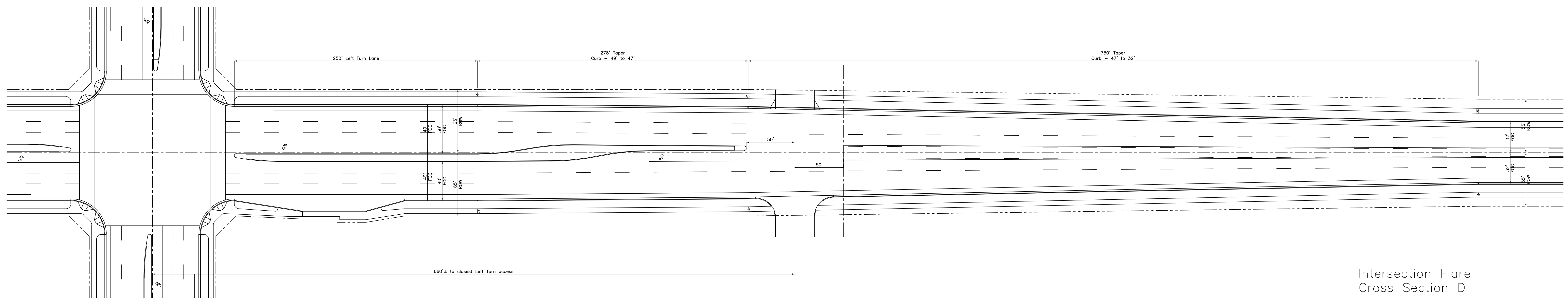


Intersection Flare
Cross Section B

DRAWN BY: hsy	CITY OF PHOENIX, ARIZONA STREET TRANSPORTATION DEPT.	
	DESIGN STANDARDS/DETAILS INTERSECTION FLARE CROSS SECTION A & B	
APPROVED BY: DEPUTY STREET TRANSPORTATION DIR. _____ DEPUTY STREET TRANSPORTATION DIR. _____ STREET TRANSPORTATION DIR. _____	SCALE: _____	FILE NO. 7336
WORK ORDER NO.:	DATE:	SHEET OF SHEETS
PROJECT NO.:		



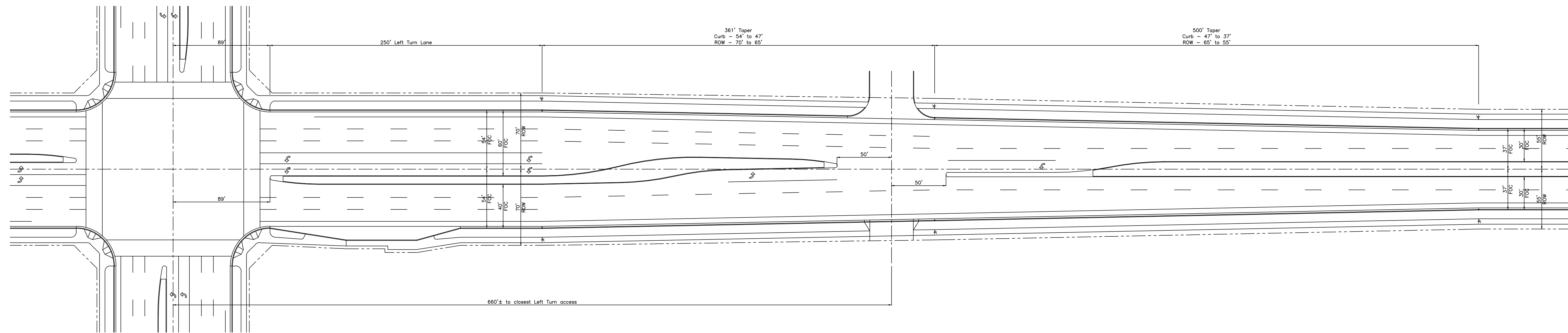
Intersection Flare
Cross Section CM



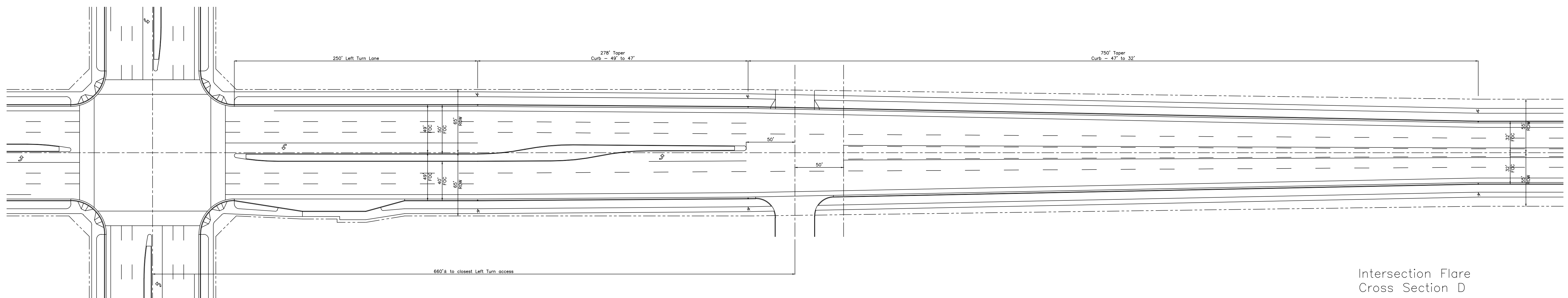
Intersection Flare
Cross Section D

DRAWN BY: hsy	CITY OF PHOENIX, ARIZONA STREET TRANSPORTATION DEPT.	
	DESIGN STANDARDS/DETAILS INTERSECTION FLARE CROSS SECTION CM & D	
APPROVED BY:	DEPUTY STREET TRANSPORTATION DIR. _____	SCALE: _____
	DEPUTY STREET TRANSPORTATION DIR. _____	DATE: _____
	DEPUTY STREET TRANSPORTATION DIR. _____	FILE NO. _____
	DEPUTY STREET TRANSPORTATION DIR. _____	7336
WORK ORDER NO.:	SHEET _____	OF _____ SHEETS
PROJECT NO.:		

INTERSECTION FLARES - CM & D



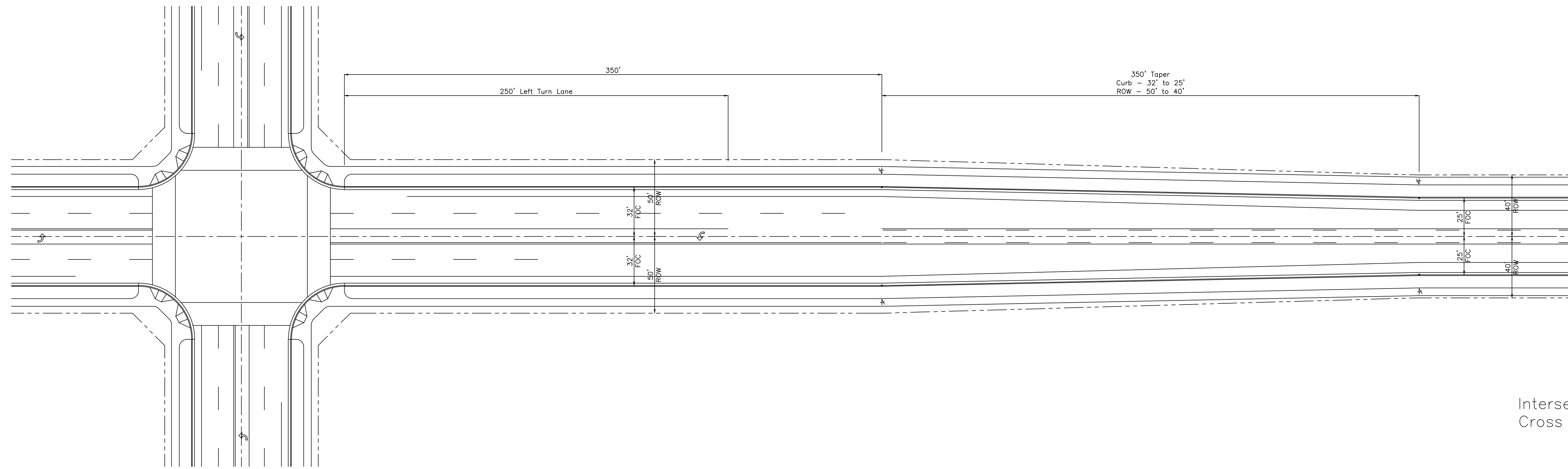
Intersection Flare
Cross Section CM



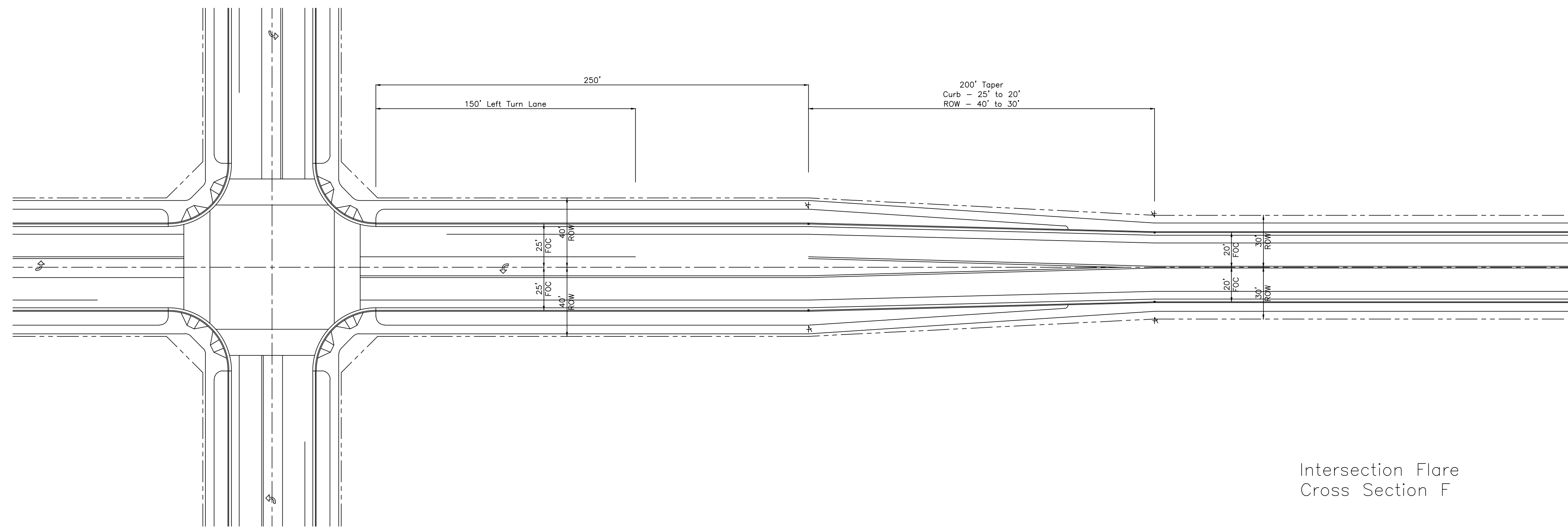
Intersection Flare
Cross Section D

DRAWN BY:	hsy	CITY OF PHOENIX, ARIZONA STREET TRANSPORTATION DEPT.	
APPROVED BY:		DESIGN STANDARDS/DETAILS INTERSECTION FLARE CROSS SECTION CM & D	
DEPUTY STREET TRANSPORTATION DIR.	_____	SCALE:	FILE NO.
DEPUTY STREET TRANSPORTATION DIR.	_____	DATE:	7336
DEPUTY STREET TRANSPORTATION DIR.	_____	SHEET OF SHEETS	
PROJECT NO.:			

INTERSECTION FLARES - CM & D



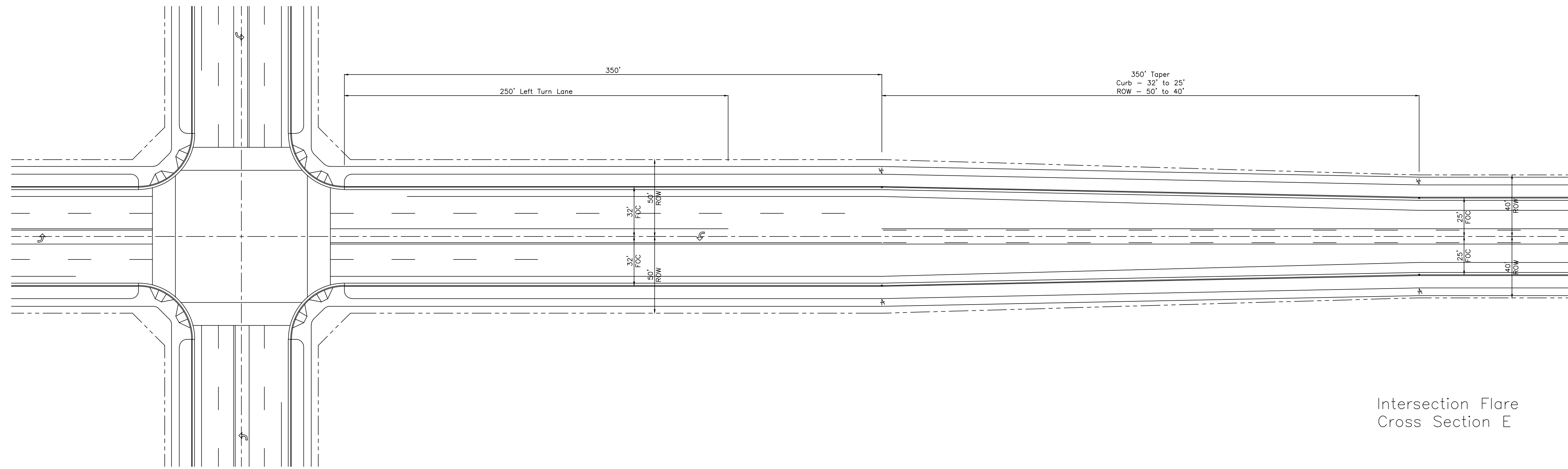
Intersection Flare
Cross Section E



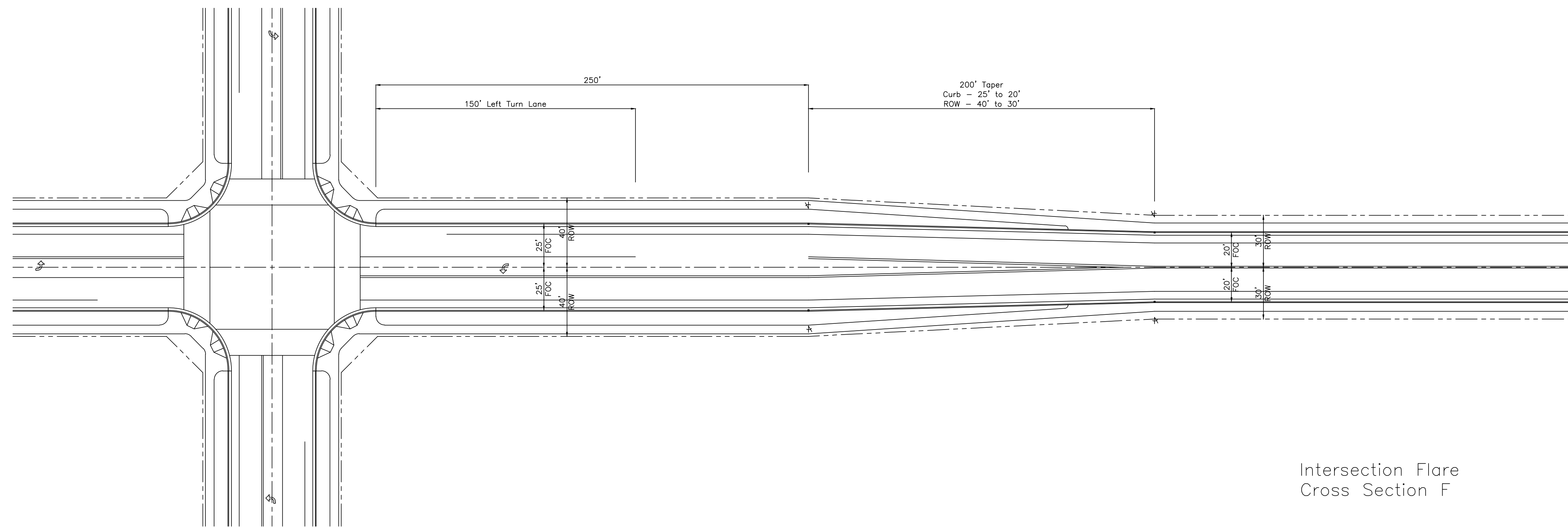
Intersection Flare
Cross Section F

DRAWN BY: hsy	CITY OF PHOENIX, ARIZONA STREET TRANSPORTATION DEPT.	
	DESIGN STANDARDS/DETAILS INTERSECTION FLARE CROSS SECTION E & F	
APPROVED BY:	SCALE:	FILE NO.
DEPUTY STREET TRANSPORTATION DIR. _____	DATE:	7336
DEPUTY STREET TRANSPORTATION DIR. _____	SHEET OF SHEETS	
STREET TRANSPORTATION DIR. _____		
WORK ORDER NO.:		
PROJECT NO.:		

7336.dwg DDCI/0403 00-28.dwg



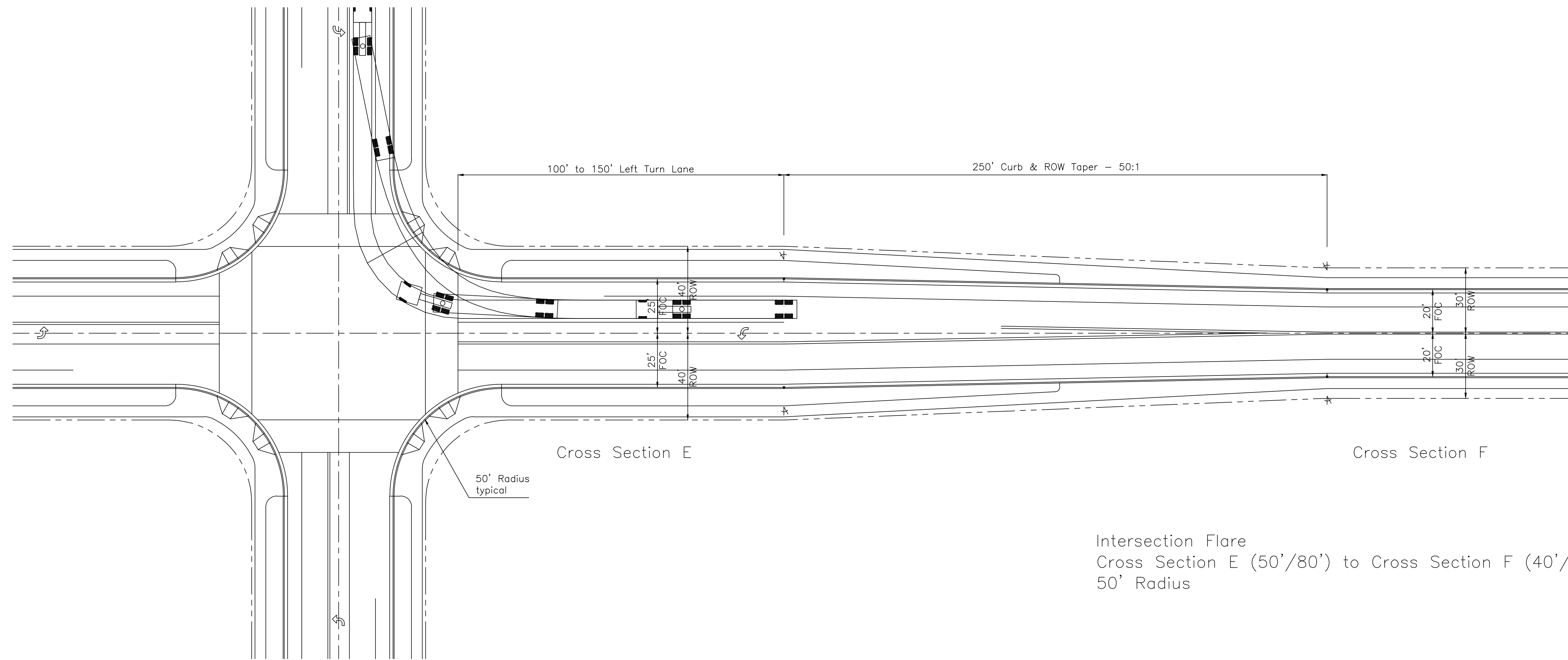
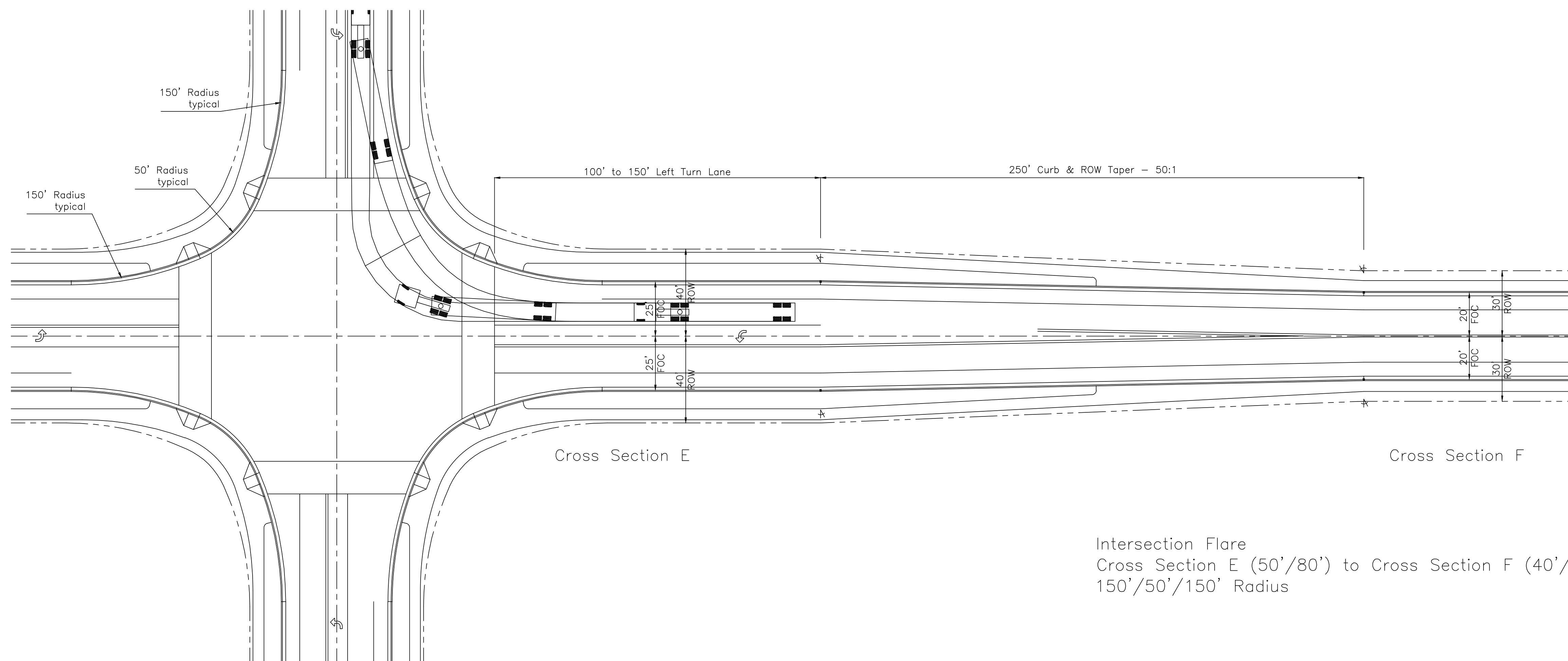
Intersection Flare
Cross Section E



Intersection Flare
Cross Section F

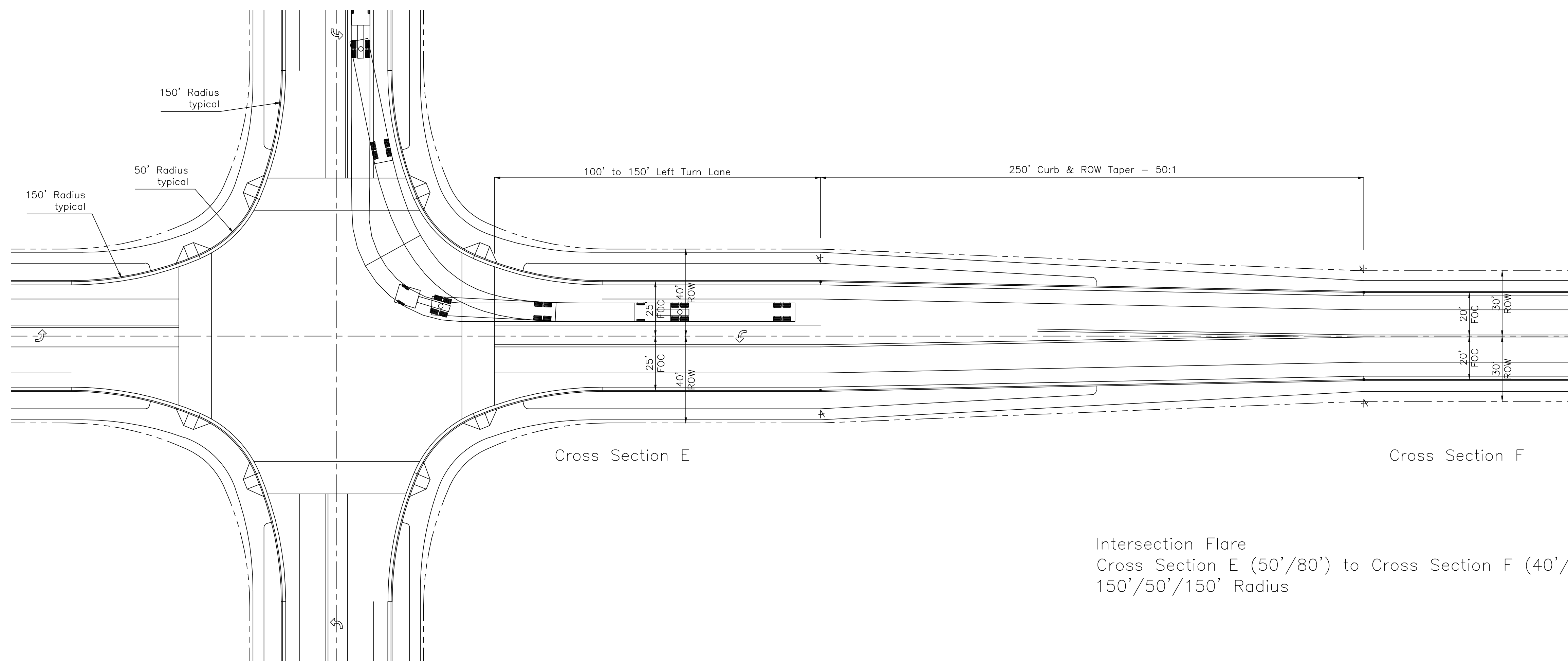
DRAWN BY: hsy	CITY OF PHOENIX, ARIZONA STREET TRANSPORTATION DEPT.	
APPROVED BY:	DESIGN STANDARDS/DETAILS INTERSECTION FLARE CROSS SECTION E & F	
DEPUTY STREET TRANSPORTATION DIR. _____	SCALE: _____	FILE NO. _____
DEPUTY STREET TRANSPORTATION DIR. _____	DATE: _____	7336
STREET TRANSPORTATION DIR. _____	SHEET OF SHEETS	
WORK ORDER NO.:		
PROJECT NO.:		

7336.dwg DDCI/0403 00-28.rvt



DRAWN BY:	hsy	CITY OF PHOENIX, ARIZONA	
APPROVED BY:		STREET TRANSPORTATION DEPT.	
DEPUTY STREET TRANSPORTATION DIR.	_____	DESIGN STANDARDS/DETAILS INTERSECTION FLARE COMMERCIAL COLLECTOR	
DEPUTY STREET TRANSPORTATION DIR.	_____		
STREET TRANSPORTATION DIR.	_____		
WORK ORDER NO.:		SCALE:	FILE NO.
PROJECT NO.:		DATE:	7336
		SHEET OF SHEETS	

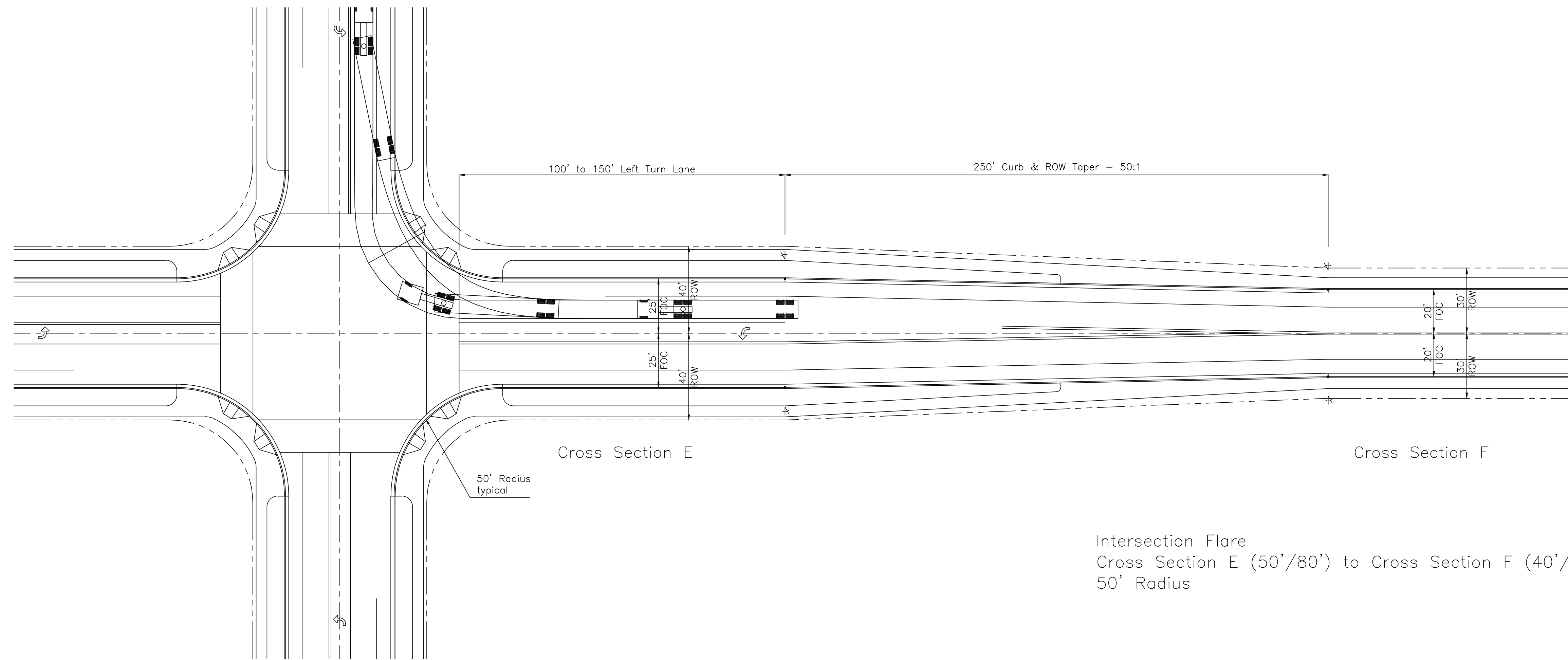
7336.dwg DFCI/BCS/DBP/20mm



Cross Section E

Cross Section F

Intersection Flare
 Cross Section E (50'/80') to Cross Section F (40'/60')
 150'/50'/150' Radius



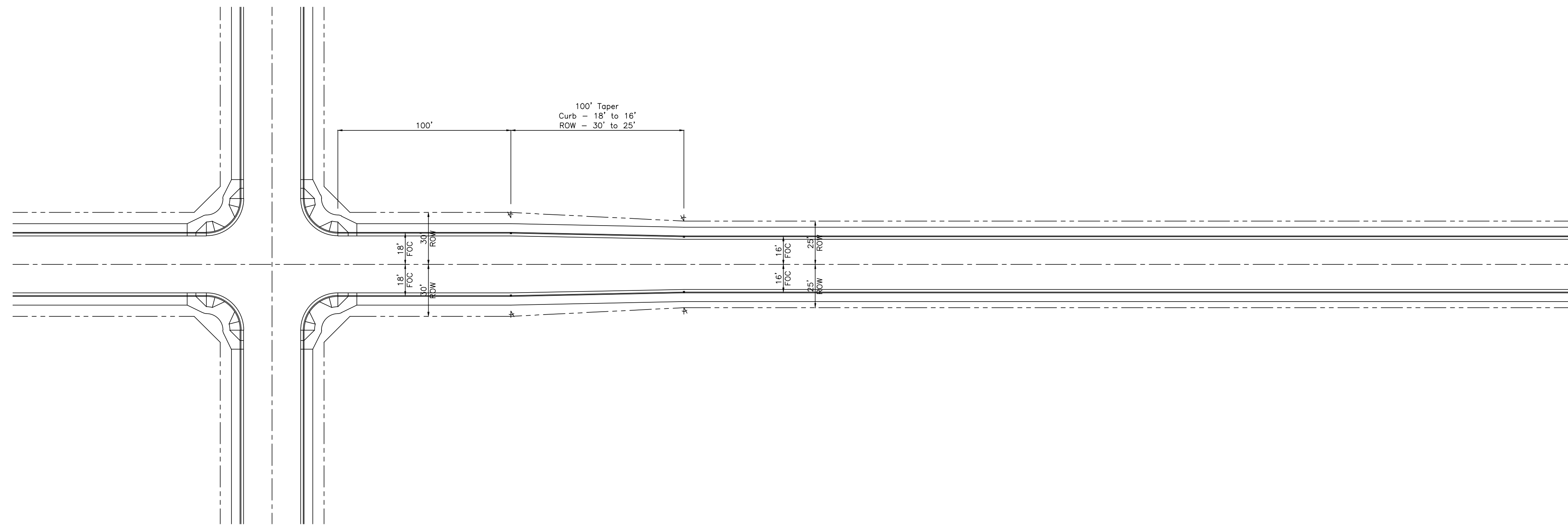
Cross Section E

Cross Section F

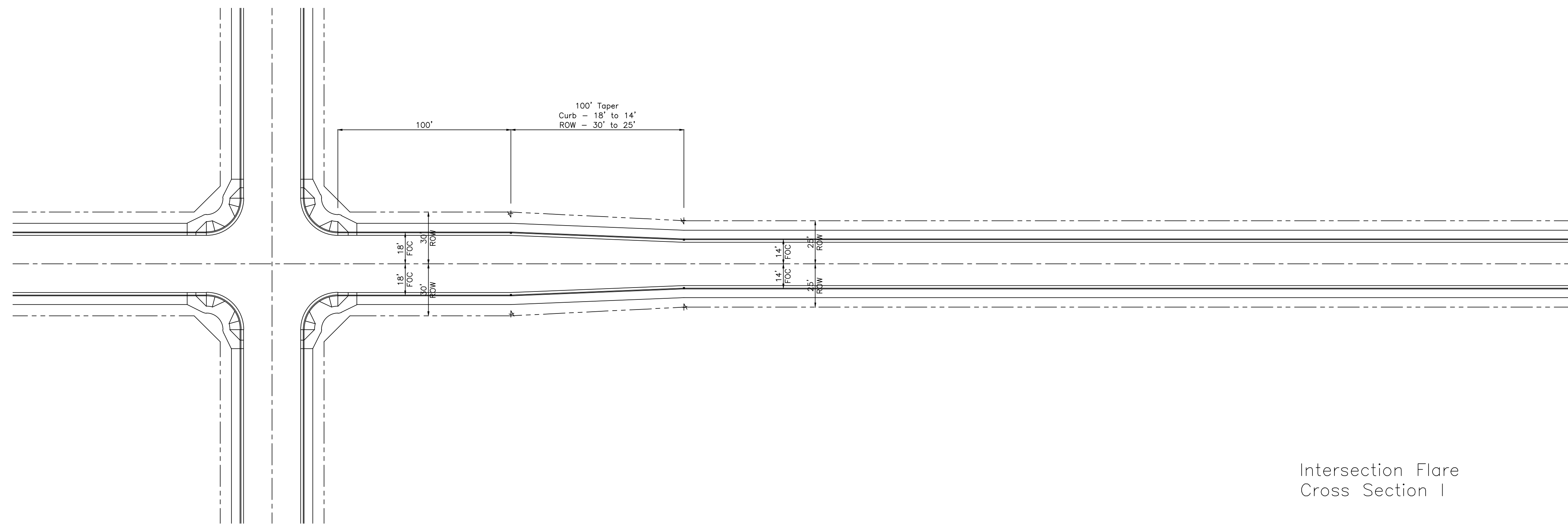
Intersection Flare
 Cross Section E (50'/80') to Cross Section F (40'/60')
 50' Radius

DRAWN BY:	hsy	CITY OF PHOENIX, ARIZONA	
APPROVED BY:		STREET TRANSPORTATION DEPT.	
DEPUTY STREET TRANSPORTATION DIR.	_____	DESIGN STANDARDS/DETAILS INTERSECTION FLARE COMMERCIAL COLLECTOR	
DEPUTY STREET TRANSPORTATION DIR.	_____		
STREET TRANSPORTATION DIR.	_____		
WORK ORDER NO.:		SCALE:	FILE NO.
PROJECT NO.:		DATE:	7336
		SHEET OF SHEETS	

7336.dwg DCI 1/10/02 0:0:25am



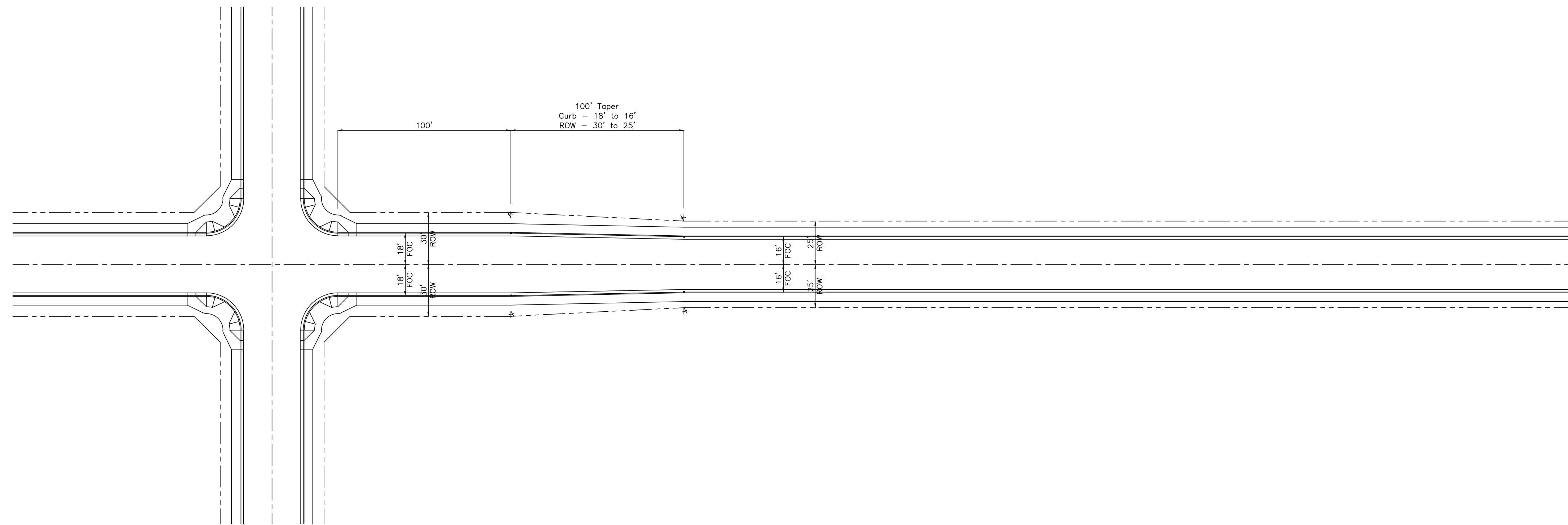
Intersection Flare
Cross Section H



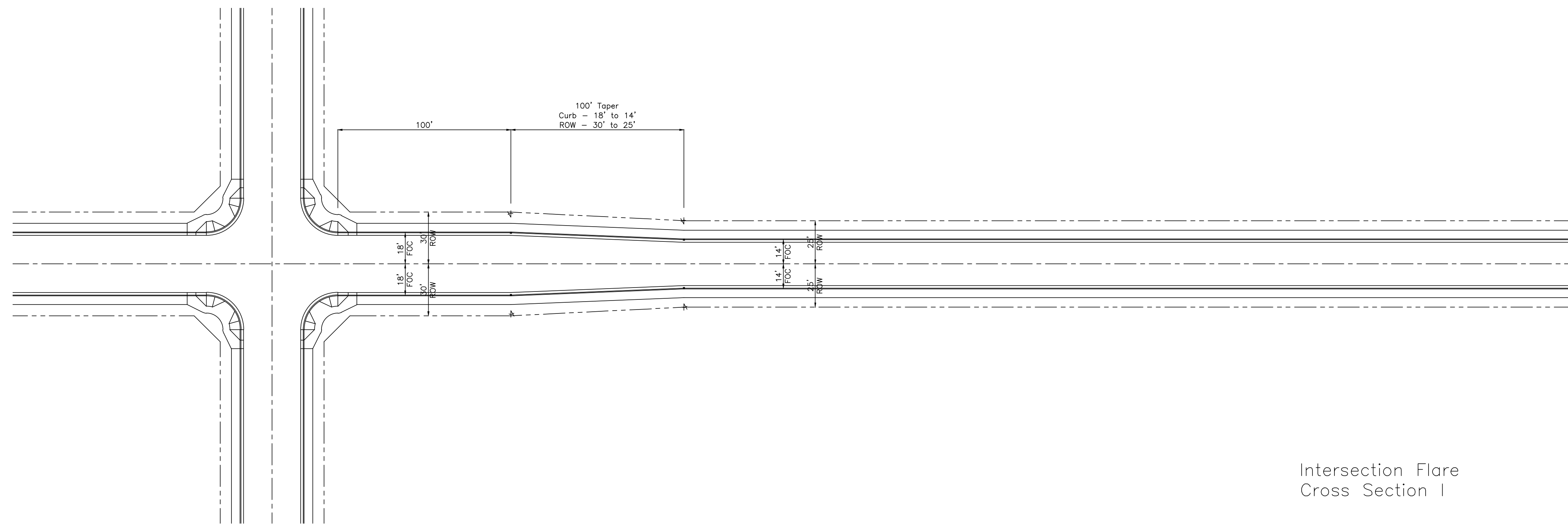
Intersection Flare
Cross Section I

DRAWN BY: hsy	CITY OF PHOENIX, ARIZONA STREET TRANSPORTATION DEPT.	
	DESIGN STANDARDS/DETAILS INTERSECTION FLARE CROSS SECTION H & I	
APPROVED BY: DEPUTY STREET TRANSPORTATION DIR. _____ DEPUTY STREET TRANSPORTATION DIR. _____ STREET TRANSPORTATION DIR. _____	SCALE: _____	FILE NO. 7336
WORK ORDER NO.:	DATE:	SHEET OF SHEETS
PROJECT NO.:		

7336.dwg DDCI/0403 00-28.m



Intersection Flare
Cross Section H



Intersection Flare
Cross Section I

DRAWN BY: hsy	CITY OF PHOENIX, ARIZONA STREET TRANSPORTATION DEPT.	
	DESIGN STANDARDS/DETAILS INTERSECTION FLARE CROSS SECTION H & I	
APPROVED BY: DEPUTY STREET TRANSPORTATION DIR. _____ DEPUTY STREET TRANSPORTATION DIR. _____ STREET TRANSPORTATION DIR. _____	SCALE: _____	FILE NO. 7336
WORK ORDER NO.:	DATE:	
PROJECT NO.:	SHEET OF SHEETS	

7336.dwg DDCI/0403 00-28.m