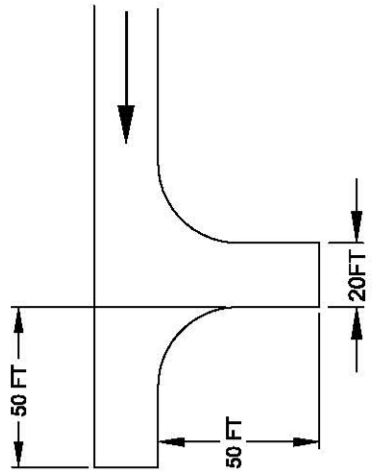
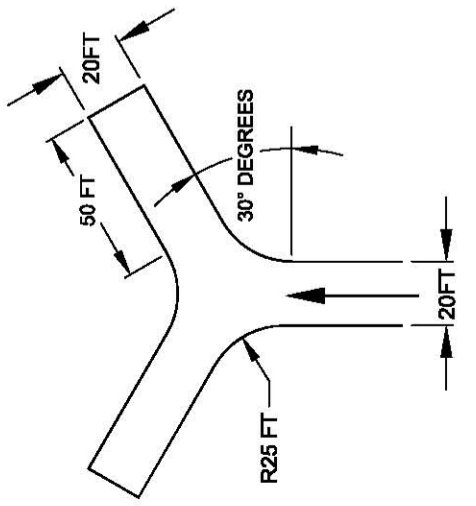
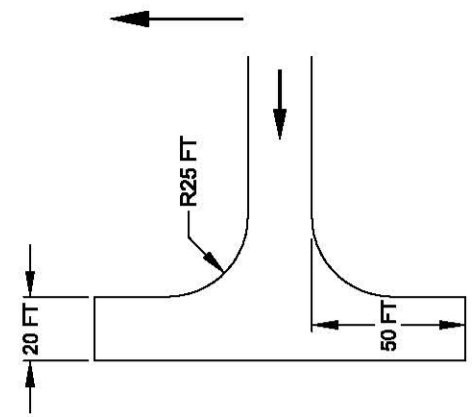
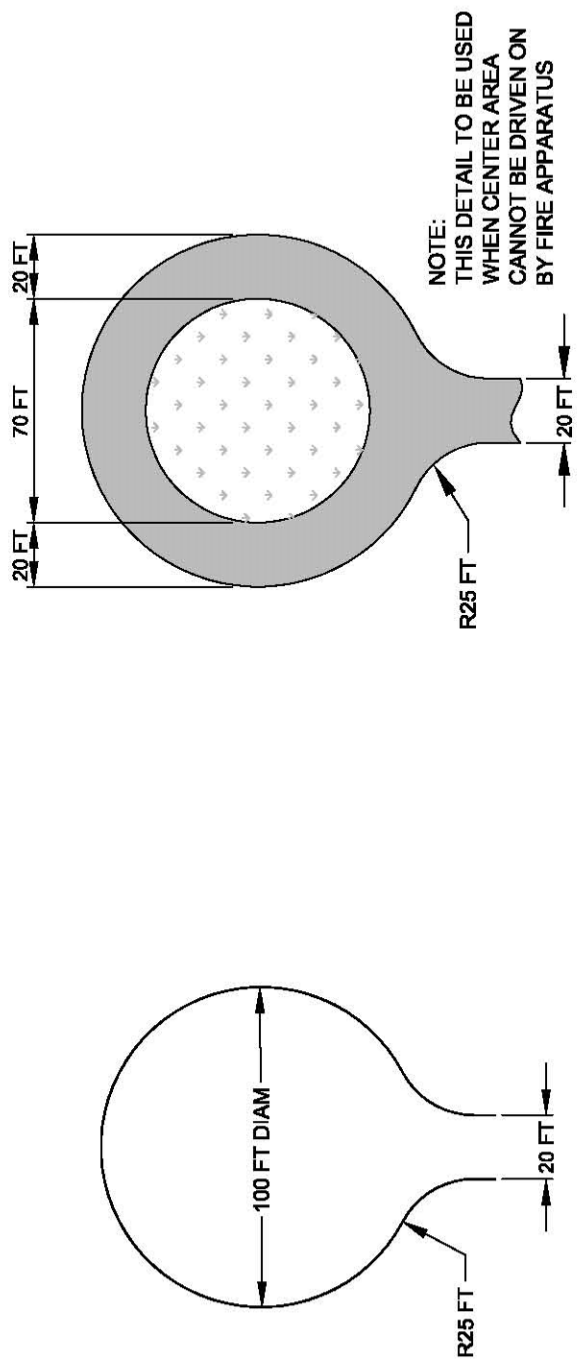


# FIGURE 5-3



ANY FIRE LANE OVER 200' TO DEAD-END, THEN ONE OF THE ABOVE TURNAROUNDS SHALL BE PROVIDED.