

ASSEMBLY SIZE	APPROX. DIMENSION
3"	13"
4"	16" - (22" OS&Y)
6"	20" - (30" OS&Y)
8"	25" - (40" OS&Y)
10"	29" - (48" OS&Y)
12"	32" - (56" OS&Y)

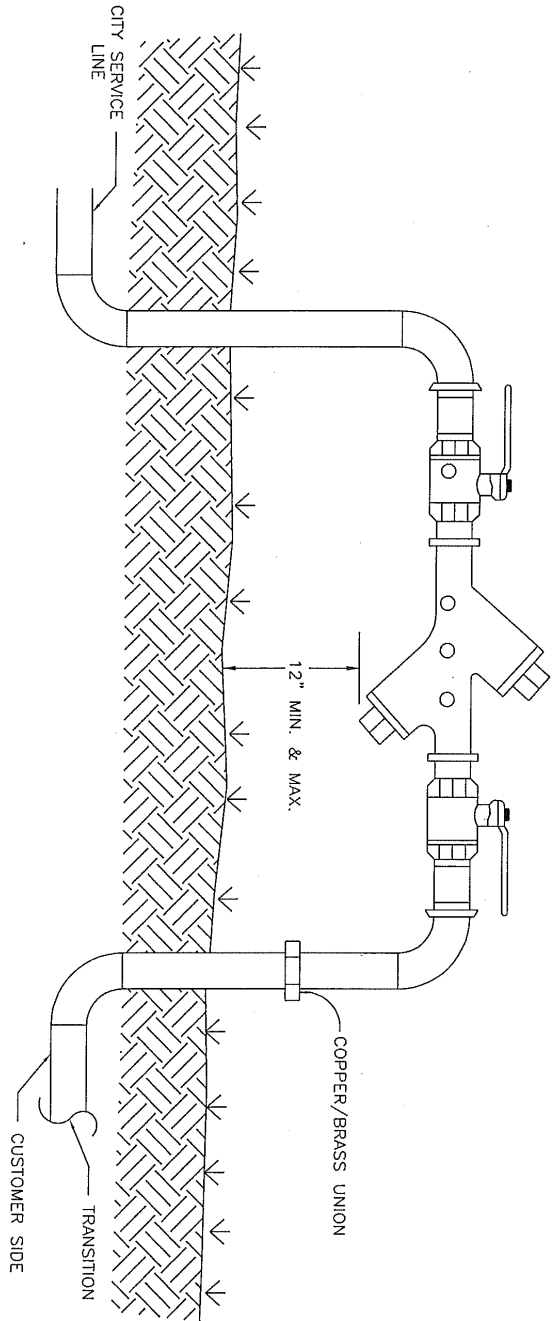
LIST OF MATERIALS

- 1 APPROVED DOUBLE CHECK VALVE ASSEMBLY.
- 2 GATE VALVE, RESILIENT SEATED (NON-RISING STEM)(O.S.&Y. REQUIRED ON FIRELINE).
- 3 90° ELL (FLANGED D.I.P. 3" THROUGH 12").
- 4 TEST COCK, RESILIENT SEATED (4 REQUIRED) FIT WITH BRASS PLUG.
- 5 ADJUSTABLE PIPE SUPPORT PERMANENTLY ATTACHED TO BASE (4 AND LARGER ASSEMBLY ONLY).
- 6 FLANGE ADAPTER (WHEN REQUIRED).

- GENERAL NOTES
1. ASSEMBLY SHALL BE APPROVED BY U.S.C. FOUNDATION FOR CROSS CONNECTION AND HYDRAULIC RESEARCH.
  2. CONTACT CITY OF PHOENIX DEVELOPMENT SERVICES DEPARTMENT, CROSS-CONNECTION CONTROL FOR A LIST OF APPROVED BACKFLOW PREVENTION ASSEMBLIES.
  3. FOUR (4) TEST COCKS TO BE INSTALLED PER U.S.C.
  4. COPPER FITTINGS SHALL BE CONNECTED WITH LEAD-FREE SOLDER JOINTS.
  5. FINISHED GRADE BELOW BACKFLOW PREVENTER SHALL BE 95% COMPACTION.
  6. ASSEMBLY MAY BE PAINTED TO BLEND WITH LANDSCAPE SURFACE TREATMENT OR ON-SITE STRUCTURES.
  7. THE ASSEMBLY MAY ALSO BE SCREENED WITH SHRUBBERY OR BE ENCLOSED WITHIN A WALL TYPE STRUCTURE. ADEQUATE DRAINAGE FOR SURFACE WATER IS REQUIRED.
  8. ANY SCREENING/ENCLOSURE MUST PROVIDE A MINIMUM 18" ACCESS OPENING (UNSECURED GATES ARE ACCEPTABLE) AND SIDE WALLS OR SHRUBBERY MUST BE A MINIMUM OF 24" FROM THE OUTSIDE FACE OF ANY PORTION OF THE BACKFLOW PREVENTION DEVICE.
  9. ASSEMBLY MAY BE PROTECTED BY GUARD POSTS (MODIFY P-1359, HYDRANT GUARDS, PHOENIX SUPPLEMENT TO MAG).

- 7 CONCRETE SUPPORT PAD 4" THICK BY 18" WIDE MINIMUM BENEATH 4" AND LARGER ASSEMBLIES. (CLASS "A" CONC).
- 8 3"x3"x1/4" STEEL ANGLE. BOLT TO FLANGE. EACH END WITH ONE BOLT. COAT WITH COAL TAR EPOXY (16 MILS) REQUIRED ON 4" AND LARGER ASSEMBLIES.
- 9 PIPE SPOOL (FLANGED D.I.P. 3" THRU 12").
- 10 TAMPER SWITCH (ON FIRELINE ONLY, OPTIONAL).
- 11 ELECTRICAL CONDUIT FOR TAMPER SWITCH.

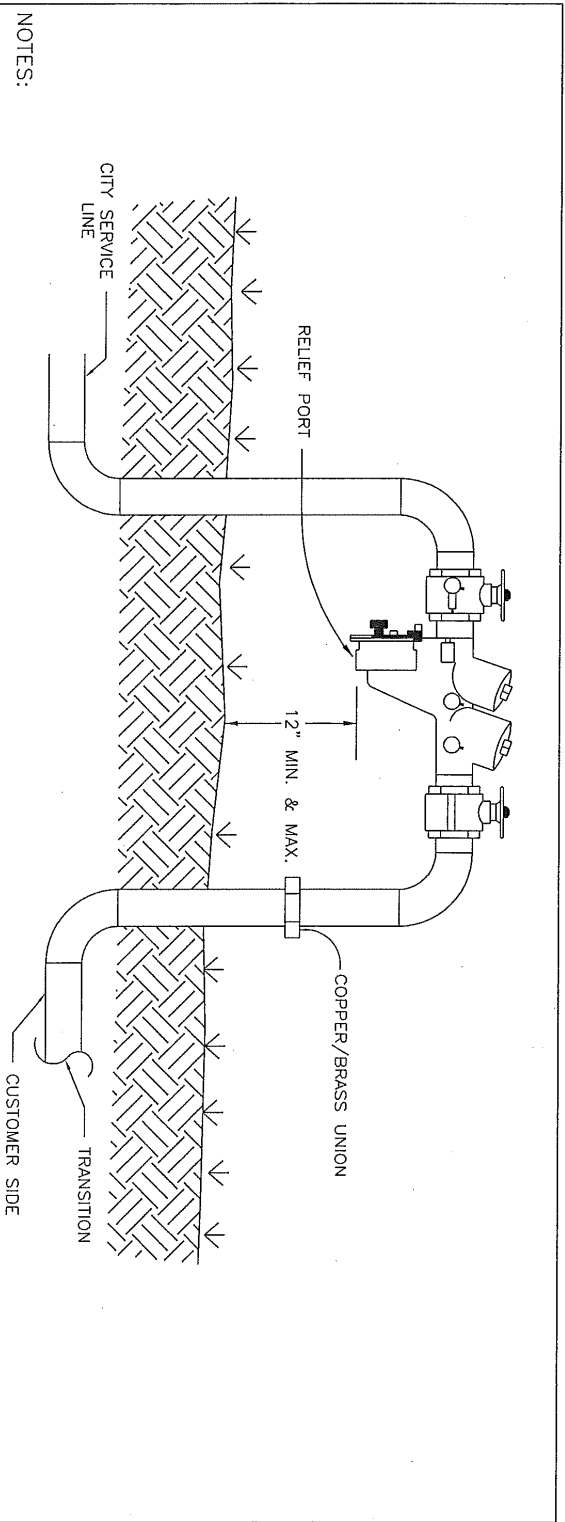
DETAIL NO. P1352	<b>City of Phoenix</b> STANDARD DETAIL	DOUBLE CHECK VALVE BACKFLOW PREVENTION ASSEMBLY INSTALLATION – 3" AND OVER
	APPROVED  CITY ENGINEER	DATE 6/27/01
		DETAIL NO. P1352



NOTES:

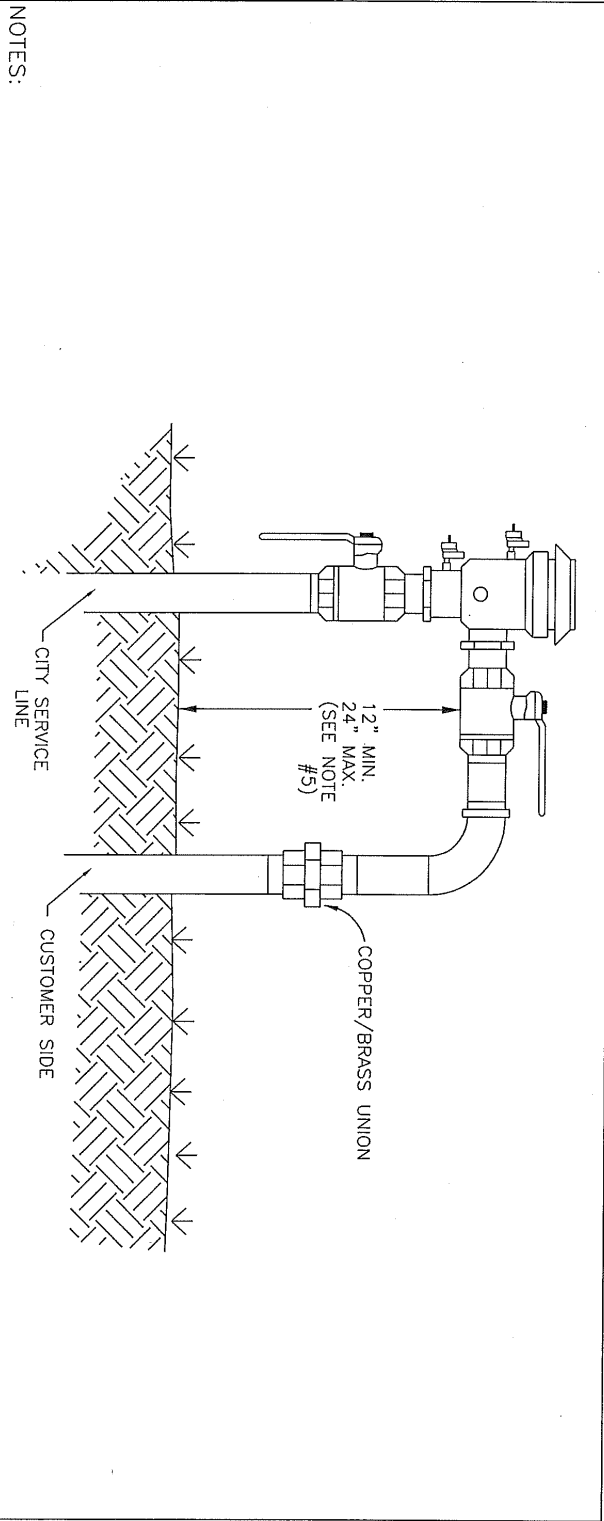
1. ALL PIPE/FITTINGS TO BE TYPE "K" COPPER.
2. CONTACT CITY OF PHOENIX DEVELOPMENT SERVICES DEPARTMENT, CROSS-CONNECTION CONTROL FOR A LIST OF APPROVED BACKFLOW PREVENTION ASSEMBLIES.
3. BACKFLOW PREVENTION ASSEMBLY MUST BE LEVEL AND INSTALLED A MINIMUM AND A MAXIMUM OF 12 INCHES FROM ASSEMBLY BODY TO FINAL GRADE.
4. TEST COCKS, (4) SHALL BE FITTED WITH BRASS PLUGS INSTALLED WITH TEFLON TAPE.
5. SHUTOFF VALVES TO BE RESILIENT BALL TYPE WITH REMOVABLE HANDLES.
6. COMPRESSION TYPE FITTINGS ARE NOT ALLOWED.
7. INSTALL THE BACKFLOW PREVENTION ASSEMBLY IMMEDIATELY DOWNSTREAM OF THE CITY WATER METER.
8. A COPPER/BRASS UNION MUST BE INSTALLED IN THE MIDDLE OF THE DOWNSTREAM RISER.
9. ASSEMBLY SHALL BE APPROVED BY U.S.C. FOUNDATION FOR CROSS-CONNECTION CONTROL AND HYDRAULIC RESEARCH.
10. COPPER FITTINGS SHALL BE CONNECTED WITH LEAD-FREE SOLDER JOINTS.
11. TRANSITION FROM "K" COPPER TO OTHER APPROVED PIPING MATERIALS SHALL BE IN THE HORIZONTAL PIPING A MINIMUM OF 12" BELOW GRADE.

DETAIL NO. P1353	 <b>City of Phoenix</b> STANDARD DETAIL	DOUBLE CHECK VALVE BACKFLOW PREVENTION ASSEMBLY INSTALLATION – 2 1/2" AND UNDER	APPROVED  CITY ENGINEER	6/27/01 DATE	DETAIL NO. P1353
---------------------	---	---	--	-----------------	---------------------



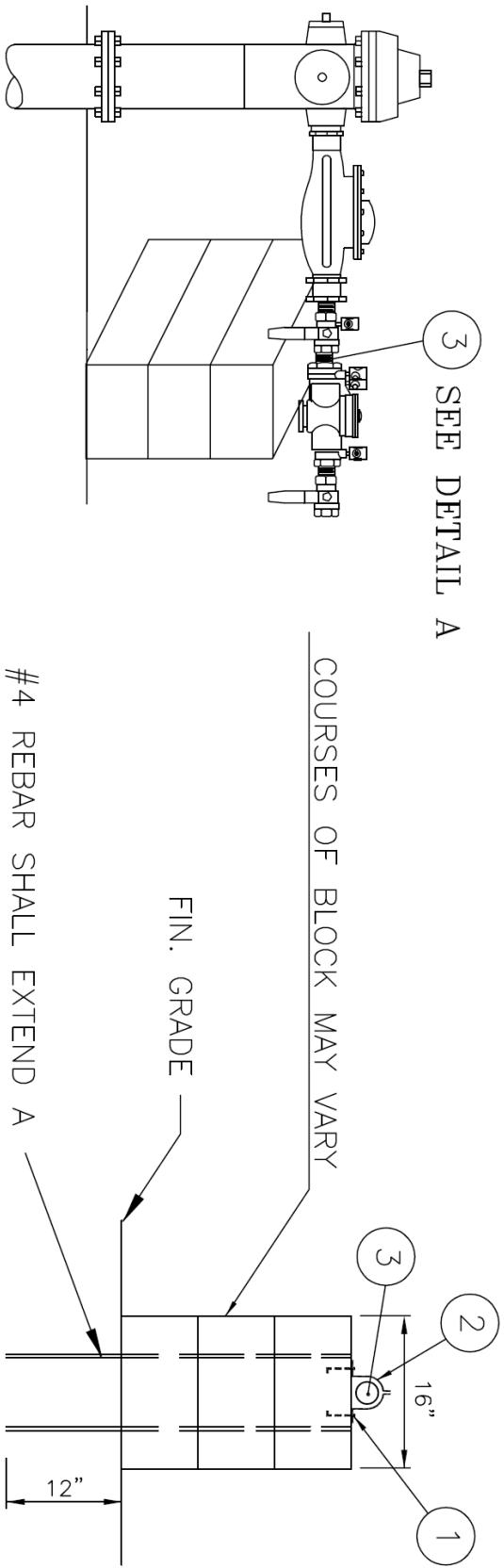
- NOTES:
1. ALL PIPE/FITTINGS TO BE TYPE "K" COPPER.
  2. ASSEMBLY SHALL BE APPROVED BY U.S.C. FOUNDATION FOR CROSS-CONNECTION CONTROL AND HYDRAULIC RESEARCH.
  3. INSTALL BACKFLOW PREVENTION ASSEMBLY WITH RELIEF PORT FACING TOWARD THE GROUND.
  4. BACKFLOW PREVENTION ASSEMBLY MUST BE LEVEL AND INSTALLED A MINIMUM AND A MAXIMUM OF 12 INCHES FROM RELIEF PORT TO FINAL GRADE.
  5. PAVER CONCRETE BLOCK UNDER RELIEF PORT, SET AT FINAL GRADE.
  6. TEST COCKS, (4) SHALL BE FITTED WITH BRASS PLUGS AND INSTALLED WITH TEFLON TAPE.
  7. SHUTOFF VALVES TO BE RESILIENT BALL TYPE WITH REMOVABLE HANDLES.
  8. COMPRESSION TYPE FITTINGS ARE NOT ALLOWED.
  9. INSTALL THE BACKFLOW PREVENTION ASSEMBLY IMMEDIATELY DOWNSTREAM OF THE CITY WATER METER.
  10. A COPPER/BRASS UNION MUST BE INSTALLED IN THE MIDDLE OF THE DOWNSTREAM RISER.
  11. CONTACT CITY OF PHOENIX DEVELOPMENT SERVICES DEPARTMENT, CROSS-CONNECTION CONTROL FOR A LIST OF APPROVED BACKFLOW PREVENTION ASSEMBLIES.
  12. COPPER FITTINGS SHALL BE CONNECTED WITH LEAD-FREE SOLDER JOINT.
  13. TRANSITION FROM "K" COPPER TO OTHER APPROVED PIPING MATERIAL SHALL BE IN THE HORIZONTAL PIPING A MINIMUM OF 12" BELOW GRADE.

DETAIL NO. P1354	 <b>City of Phoenix</b> STANDARD DETAIL	REDUCED PRESSURE PRINCIPLE BACKFLOW PREVENTION ASSEMBLY INSTALLATION – 2 1/2" AND UNDER	APPROVED  CITY ENGINEER	6/27/01 DATE	DETAIL NO. P1354
---------------------	---	--	--	-----------------	---------------------



- NOTES:
1. CONTACT CITY OF PHOENIX DEVELOPMENT SERVICES DEPARTMENT, CROSS-CONNECTION CONTROL FOR A LIST OF APPROVED PRESSURE VACUUM BREAKER ASSEMBLIES.
  2. ASSEMBLY SHALL BE APPROVED BY U.S.C. FOUNDATION FOR CROSS-CONNECTION CONTROL AND HYDRAULIC RESEARCH.
  3. TWO (2) TEST COCKS SHALL BE FITTED WITH BRASS PLUGS INSTALLED WITH TEFLON TAPE.
  4. SHUTOFF BALL VALVES MUST BE RESILIENT SEATED VALVES AS PER U.S.C..
  5. ASSEMBLY MUST BE INSTALLED 12 INCHES ABOVE THE HIGHEST OUTLET ON THE SYSTEM. IF THE DISTANCE EXCEEDS 24 INCHES A REDUCED PRESSURE BACKFLOW PREVENTION ASSEMBLY MUST BE USED.
  6. ALL PIPE/FITTINGS TO BE TYPE "K" COPPER.
  7. A COPPER/BRASS UNION MUST BE INSTALLED IN THE MIDDLE OF THE DOWNSTREAM RISER.
  8. INSTALL THE BACKFLOW PREVENTION ASSEMBLY IMMEDIATELY DOWNSTREAM OF THE CITY WATER METER.
  9. COPPER FITTINGS TO BE CONNECTED WITH LEAD-FREE SOLDER JOINTS.
  10. TRANSITION FROM "K" COPPER TO OTHER APPROVED PIPING MATERIALS SHALL BE IN THE HORIZONTAL PIPING A MINIMUM OF 12" BELOW GRADE.

DETAIL NO. P 1355	 <b>City of Phoenix</b> STANDARD DETAIL	PRESSURE VACUUM BREAKER ASSEMBLY INSTALLATION - 2" AND UNDER	APPROVED  CITY ENGINEER	6/27/01 DATE	DETAIL NO. P 1355
----------------------	---	---	--	-----------------	----------------------



**Detail A**

**NOTES:**

1. SECURE BACKFLOW ASSEMBLY WITH APPROVED ANCHORS TO 8"X8"X16" TYPE "B" CONCRETE FILLED BLOCK WITH 2 #4 REBARS. ASSEMBLY SHALL BE TESTED BY CERTIFIED BACKFLOW TESTER.
2. 2-PIECE CLAMP WITH APPROVED ANCHORS.
3. BACKFLOW ASSEMBLY FOR USE WITH DETAIL P1354.
4. CONTACT CITY OF PHOENIX DEVELOPMENT SERVICES DEPARTMENT, CROSS-CONNECTION CONTROL FOR A LIST OF APPROVED BACKFLOW PREVENTION ASSEMBLIES.

DETAIL NO. P1356	 <b>City of Phoenix</b> STANDARD DETAIL	TEMPORARY SUPPORT FOR FIRE HYDRANT BACKFLOW ASSEMBLY	APPROVED  CITY ENGINEER
		6/27/01 DATE	DETAIL NO. P1356